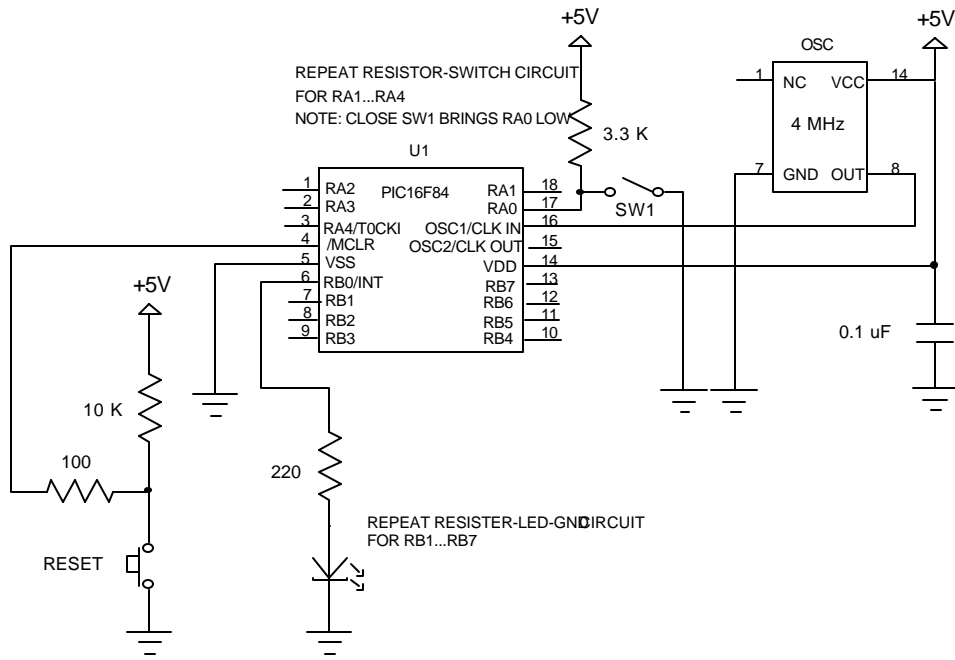


REPEAT RESISTOR-SWITCH CIRCUIT
FOR RA1...RA4

NOTE: CLOSE SW1 BRINGS RA0 LOW



REPEAT RESISTOR-LED-GND CIRCUIT
FOR RB1...RB7