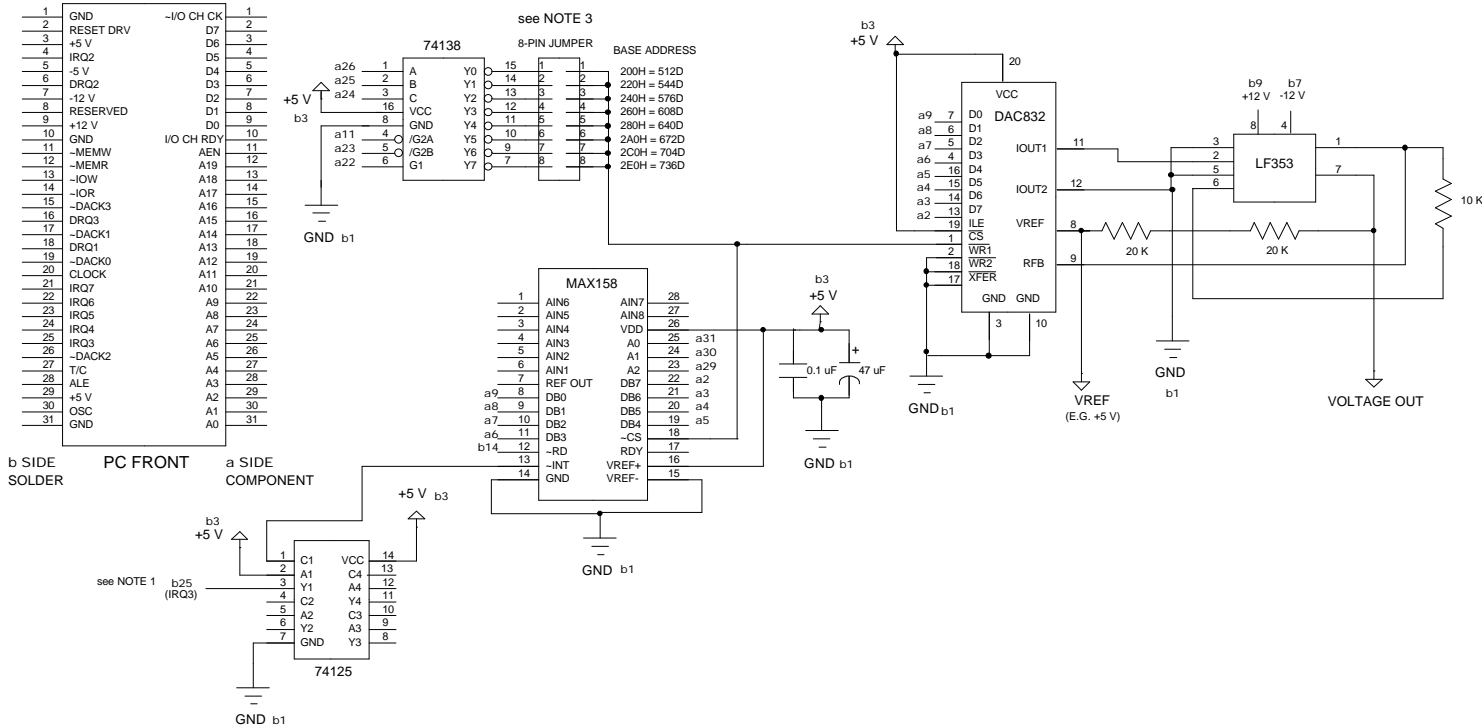


SOLDER ISA SLOT COMPONENT
 b SIDE PC REAR a SIDE



NOTE 1: MAX158 pin 13 (/INT) goes low on end-of-conversion (EOC). 74125 enable pin 2 is low and hence allows +5V (pin 1) at input to pass as +5V output (pin 3), thus triggering interrupt (IRQ3)

NOTE 2: prefix a and b refer to ISA component and solder pin numbers respectively

NOTE 3: Shorting block on row sets card's base address, e.g. row 4 gives 608 decimal base address