

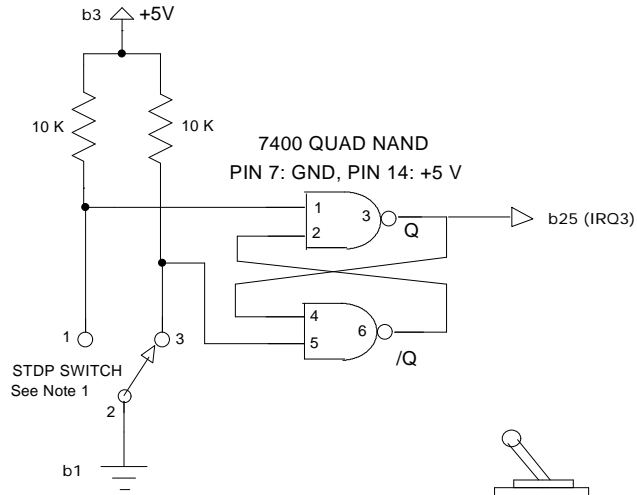
SOLDER ISA SLOT COMPONENT

b SIDE PC REAR a SIDE

1	GND	-I/O CH CK	1
2	RESET DRV	D7	2
3	+5 V	D6	3
4	IRQ2	D5	4
5	-5 V	D4	5
6	DRQ2	D3	6
7	-12 V	D2	7
8	RESERVED	D1	8
9	+12 V	D0	9
10	GND	I/O CH RDY	10
11	-MEMW	AEN	11
12	-MEMR	A19	12
13	-IOW	A18	13
14	-IOR	A17	14
15	-DACK3	A16	15
16	DRQ3	A15	16
17	-DACK1	A14	17
18	DRQ1	A13	18
19	-DACK0	A12	19
20	CLOCK	A11	20
21	IRQ7	A10	21
22	IRQ6	A9	22
23	IRQ5	A8	23
24	IRQ4	A7	24
25	IRQ3	A6	25
26	-DACK2	A5	26
27	T/C	A4	27
28	ALE	A3	28
29	+5 V	A2	29
30	OSC	A1	30
31	GND	A0	31

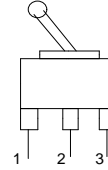
b SIDE PC FRONT a SIDE COMPONENT

DEBOUNCE SWITCH



STDP SWITCH  
See Note 1

Note 1: Side view of a typical single throw double pole (STDP) toggle switch



Lever in this position shorts pins 2 and 3 and Q is high (+5V). When lever toggled, Q goes low (GND)